

AVF-19D

3 Phase Panel Meter



TECH SPECS

Dimension (HxWxD) mm	96 x 96 x 43
Input	3 Ø 4 Wire / 3 Ø 3 Wire / 1 Ø 2 Wire
Voltage	20-300V AC (L-N) / 35-520V AC (L-L)
Current	5/5A To 6000/5A CT Ratio Selectable
Parameters	Voltage : V_{LL} , V_{LN} , Avg Current : All Phase Amp, Avg Frequency, RPM, Load Hour
Accuracy	Class 0.5
Power Supply	230V AC 50 Hz Approx 4VA
Certification	CE

APPLICATIONS

Control & Relay Panel

Original Equipment
Manufacturers (OEMs)

Energy Management System

DG Set Panels

LT / HT Panel

Power Control Center Panels

Motor Control Center Panels

Technical Specifications

Meter type

1 Φ 2W / 3 Φ 4W / 3 Φ 3W (Selectable)

Input

Voltage

Direct Voltage 20 To 300V (L-N)
35 TO 520V (L-L)

Burden <0.2 VA

Current

Secondary Current AC 0.5 to 5Amp

Burden <0.2 VA

CT Ratio 5 To 6000A Programmable

Overload 6A Continuous

Starting Current 50mA

Frequency 45 TO 65 Hz

Auxiliary Power Supply

Power Supply 230V AC, 50Hz

Burden 4VA

Physical

Mounting Type Panel Mount

Size (H x W x D)mm 96 X 96 X 43

Front Bezel (H x W) mm 96 X 96

Panel Cutout (H x W) mm 92 X 92

Depth Behind panel (mm) 43

Material ABS

Accessory 2 Panel Mounting Clamp

Weight (gm) 347

Enclosure Protection IP 65 (Front Side)

Terminal & Cable Size Barrier Type terminal
Cable Size (2.5 mm²)

Display, Keys & LED

Display 3 Digit 3Line 7 seg 0.59"
Red LED Display

Key SET/ENT, INC & DEC/SCROLL

LED A, KA, V_{LL}, V_{LN}, Avg, Hz, L1,L2,L3

Environmental

Working Temperature 0 to 55 °C

Storage Temperature 0 to 55 °C

Relative Humidity 95% RH Non-condensing

Warm up time 5 minutes

Calculated Parameters

Voltage Voltage : (3 Φ - 3W) (Line to Line)
(3 Φ - 4W) (Line to Neutral)
& (Line to Line)

Current Current all Phase
Avg Amp

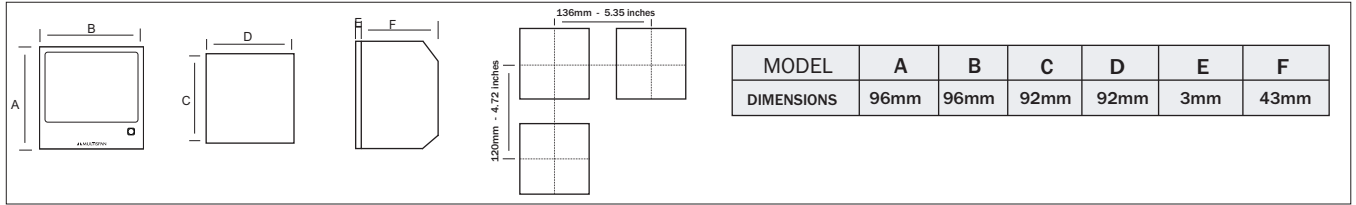
Frequency System Frequency

RPM & Load Hour (UP to 9999)

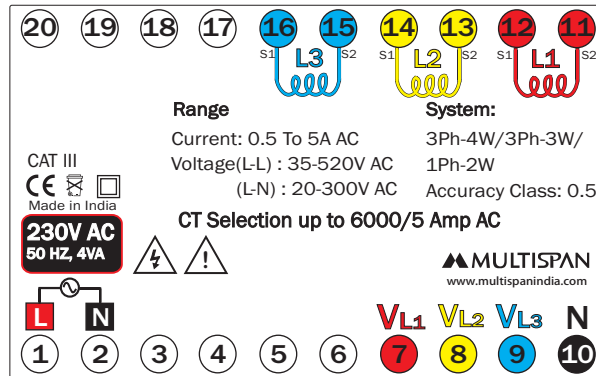
Accuracy

Class 0.5

Mechanical Dimension



Connection Diagram



Multispan reserves the right to change specifications without prior notice. Printing and typographical errors reserved.
 Product improvement and upgrade is a constant procedure. So for more updated operating information & support contact us.

Multispan Control Instruments Pvt. Ltd.

72/B, Phase 1, GIDC Estate, Vatva, Ahmedabad-382445, Gujarat, India.

+91-7575805463/7623001206

support@multispanindia.com

Follow us



www.multispanindia.com