

# UNIVERSAL TIMER

## UTR-433 Manual



### AUXILIARY SUPPLY:

Supply voltage	100 to 270V AC, 50-60Hz
Power consumption (VA RATING)	Approx 4 VA @ 230V AC MAX

### ENVIRONMENT CONDITION:

Operating Temp.	0 °C to 55 °C
Relative Humidity	UP to 95% RH (non-condensing)
Protection Level (AS Per Request)	IP-65 (Front side) As per IS/IEC 60529 : 2001

## TECHNICAL SPECIFICATION

### INPUT SPECIFICATION:

Input (Start Pulse)	NPN Proximity
	Micro Switch
Time Range	Sec (9.99/99.9/999)
	Min (9.59/99.9/999)
	Hour (9.59/99.9/999)

### DISPLAY AND KEYS:

Display	Upper: 3 digit, 7 segment, 0.80" Lower: 3 digit, 7 segment, 0.40"
Keys	SET, SHIFT, INC, ENT/RST

### DIMENSION:

Size	48 (H) x 48 (W) x 70 (D) mm
Panel Cutout	45 (H) x 45 (W) mm

### GENERAL SPECIFICATION:

Operating Mode	Cyclic On Timer
	Cyclic Off Timer
	Delay On Timer
	Delay Off Timer
Counting Direction	UP/ DOWN
Reset Option	Front Panel Reset
	Terminal Reset

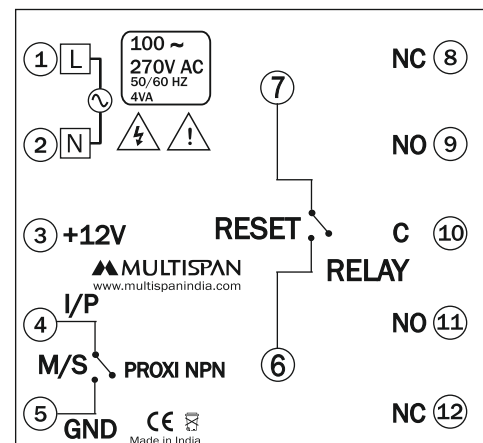
### OUTPUT SPECIFICATION:

Relay Output	
Relay	1 nos.
Relay Type	2 C/O
Rating	5A, 230V AC

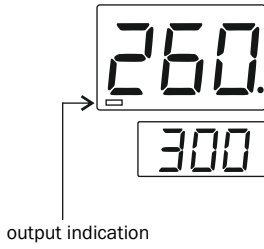
## MECHANICAL INSTALLATION

Outline Dimension (mm)	Panel Cutout Dimension (mm)

## TERMINAL CONNECTION



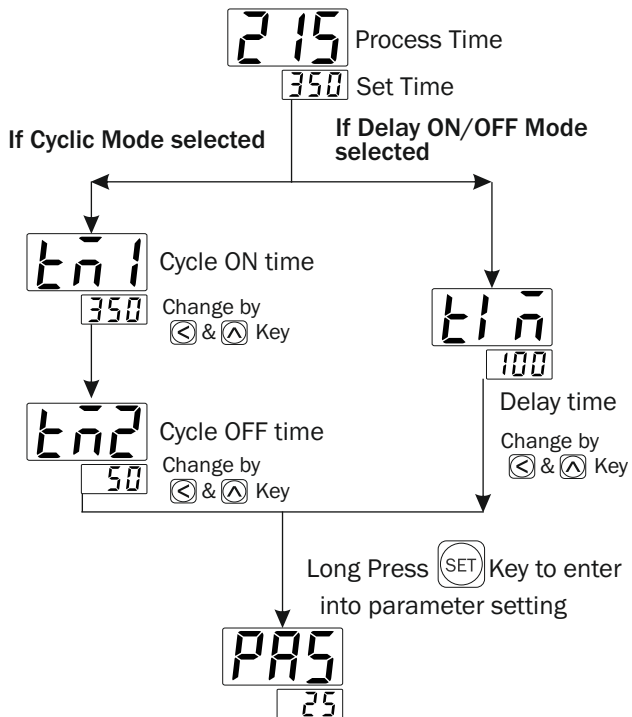
## STATUS LED DESCRIPTION



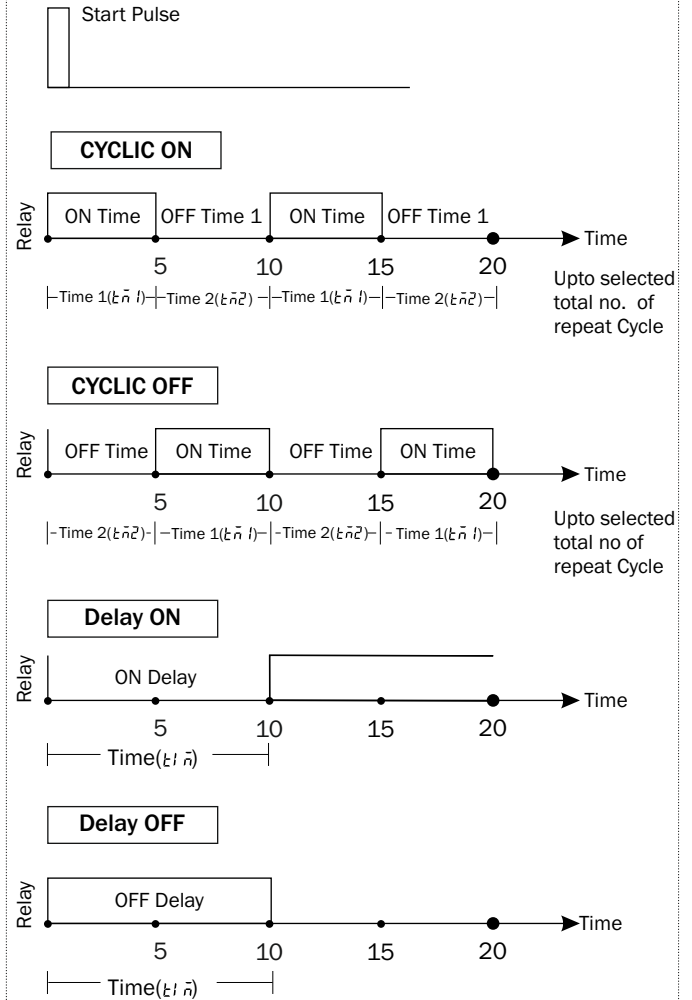
## KEY OPERATION

FUNCTION	PRESS KEY
<b>OPERATOR MODE</b>	
To enter in parameter setting mode	[SET]
To reset the timer	[ENT RST]
<b>PARAMETER SETTING MODE</b>	
Edited parameter value to be set, And move to the next parameter	[SET]
It will select the digit to modify, When value is edited	[←]
It will change the Value of selected digit	[↑]
Set parameter to save & exit	[ENT RST]

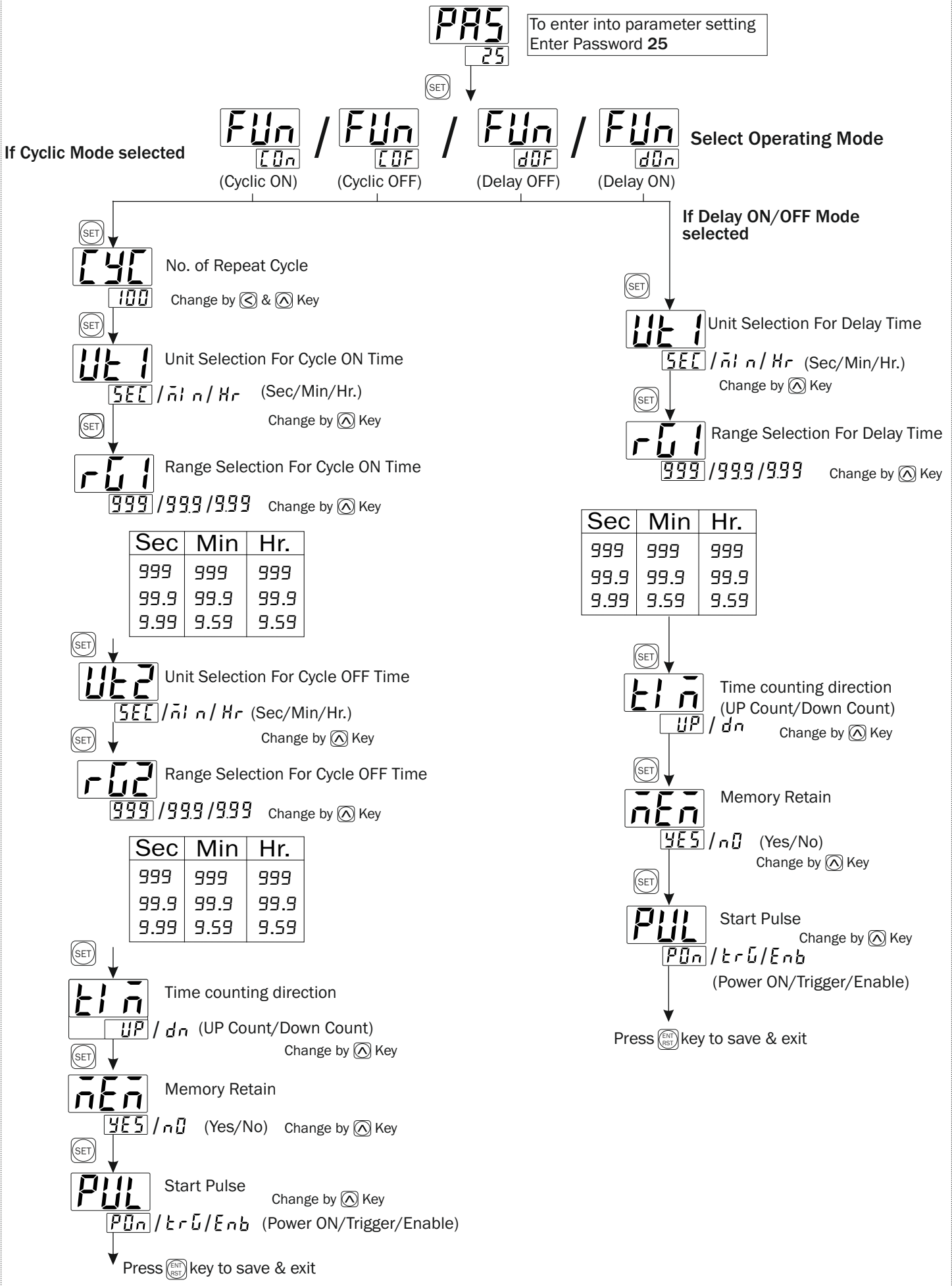
## SET TIME SETTING



## TIMING DIAGRAM



# PARAMETER SETTING



## MECHANICAL INSTALLATION GUIDELINES

1. Prepare the panel cutout with proper dimensions as show above.
2. Fit the unit into the panel with the help of clamp given.
3. The equipment in its installed state must not come in close proximity to any heating source, caustic vapors, oils steam, or other unwanted process by products.
4. Use the specified size of crimp terminal (M3.5 screws) to wire the terminal block. Tightening the screws on the terminal block using the tightening torque of the range of 1.2 N.m.
5. Do not connect anything to unused terminals.

## WARNING GUIDELINES

### **WARNING : Risk of electric shock.**

1. To prevent the risk of electric shock power supply to the equipment must be kept OFF while doing the wiring arrangement. Do not touch the terminals while power is being supplied.
2. To reduce electro magnetic interference, use wire with adequate rating and twists of the same of equal size shall be made with shortest connection.
3. Cable used for connection to power source, must have a cross section of 1mm or greater. These wires should have insulations capacity made of at least 1.5kV.
4. A better anti-noise effect can be expected by using standard power supply cable for the instrument.

## SAFETY PRECAUTION

All safety related codifications, symbols and instructions that appear in this operating manual or on the equipment must be strictly followed to ensure the safety of the operating personnel as well as the instrument.

If all the equipment is not handled in a manner specified by the manufacturer, it might impair the protection provided by the equipment.



Read complete instructions prior to installation and operation of the unit.



**WARNING : Risk of electric shock.**

## MAINTENANCE

1. The equipment should be cleaned regularly to avoid blockage of ventilating parts.
2. Clean the equipment with a clean soft cloth. Do not use isopropyl alcohol or any other cleaning agent.
3. Fusible resistor must not be replaced by operator.

## INSTALLATION GUIDELINES

1. This equipment, being built-in-type, normally becomes a part of main control panel and in such case the terminals do not remain accessible to the end user after installation and internal wiring.
2. Do not allow pieces of metal, wire clippings, or fine metallic fillings from installation to enter the product or else it may lead to a safety hazard that may in turn endanger life or cause electrical shock to the operator.
3. Circuit breaker or mains switch must be installed between power source and supply terminal to facilitate power 'ON' or 'OFF' function. However this mains switch or circuit breaker must be installed at convenient place normally accessible to the operator.
4. Use and store the instrument within the specified ambient temperature and humidity ranges as mentioned in this manual.

### Note:

Specifications are subject to change, since development is a continuous process. So for more updated operating information and Support, Please contact our Helpline: +91-9081078683/81 or Email at [service@multispanindia.com](mailto:service@multispanindia.com) Ver:2307