



Scan to follow MEGMEET

Power Supply Product

- Communication PS
- Server Power Supply
- Electric Power Supply
- Medical Power Supply
- Industrial Microwave Power Supply
- Display Power Supply
- Photovoltaic (PV)
- Energy Storage System
- Charging Pile component
- Guide Rail Power Supply
- OA Power Supply
- Flat Panel Power Supply

Industrial Automation

- Inverter
- Servo System
- Control System
- Sensor
- Internal Gear Pump
- Industrial IOT
- Elevator Integrated Controller
- Engineering Vehicle Controller

New Energy Vehicle & Rail Transit

- Rail Transit Inverter
- Motor Controller
- PFC
- Electric Compressor
- Heating Management System
- Rail Transit Air Conditioning Controller
- In-vehicle Integrated Charging System
- All-in-one High Voltage Integrated Driver

Intelligent equipment

- Intelligent Digital Welding Machine
- Industrial Microwave Equipment
- Intelligent Submersible Screw Pump Oil Recovery System

Smart Appliance Electronic Control

- Intelligent Sanitary Ware
- Space Heating
- Microwave Oven
- Electromagnetic Heating
- Cold Chain
- Heating Ventilation Air Conditioner (HVAC)
- Washing (Drying) Machine

Precision Connection

- Flexible Flat Cable(FFC)
- FPC
- Coaxial Line
- Varnished Wire

Shenzhen Megmeet Electrical Co.,Ltd

Add: 5th Floor, Block B, Unisplendour Information Harbor, Langshan Rd., Science&Technology Park, Nanshan District, Shenzhen, 518057, China

Add: 34th Floor, High-tech Zone Union Tower, No.63 Xuefu Road, Nanshan District, Shenzhen, 518057, China

HMI

Human-Machine-Interface



2400+
R&D Personnels

7300+
Workers

10
R&D Centers

8
Manufacturing Bases



About MEGMEET

Shenzhen Megmeet Electrical Co., Ltd. (Stock Code:002851) is a one-stop solution provider for the R&D, production, sales and services of hardware and software in electrical automation field, highlighting in power electronics and automatic control echnology. Company's main business covers six parts: power supply products, industrial automation, new energy vehicle & rail transit, intelligent equipment, smart appliance electronic control and precision connection.

Our company has established a strong platform of R&D, manufacturing, marketing and service with more than 1900 R&D personnel and a total of more than 5700 employees. We have established R&D centers in Shenzhen City, Changsha City, Xi'an City, Wuhan City, Zhuzhou City, Hangzhou City, Taizhou City and Chengdu City; overseas research institutes in the United States, Germany, and Sweden; manufacturing centers in Zhuzhou City, Dongguan City, Heyuan City, Taizhou City, and Yiwu City; overseas factories in Thailand and India; overseas marketing station in the United States, Japan, Korea, Southeast Asia, India, Germany, Poland, Romania, Turkey, Sweden to provide quality service resources.

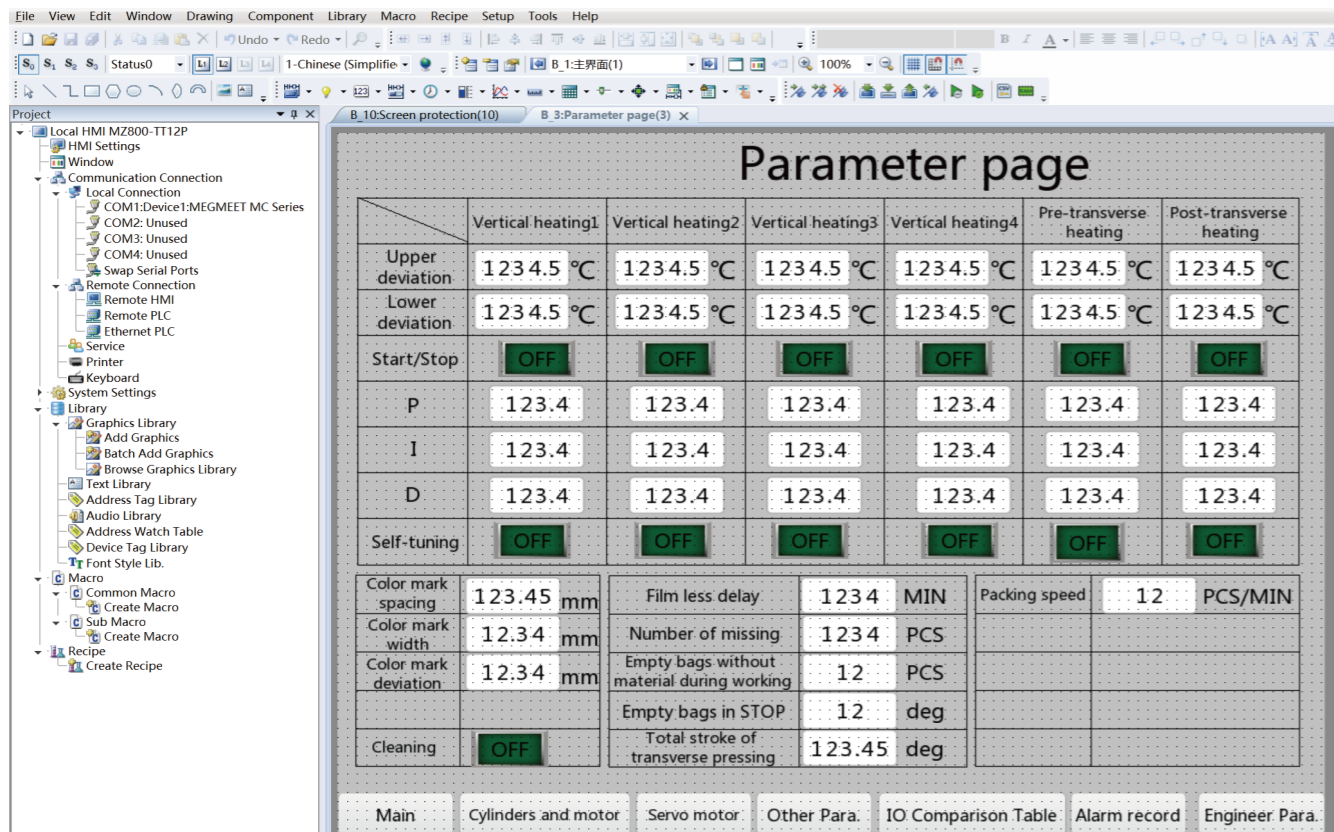
MEGMEET is committed to helping people achieve a more efficient use of electricity, creating a cleaner living environment, continuously improving production efficiency and creating a better life for human beings. Our company aspires to become a global first-class product and solution provider in the field of electrical control and energy saving.

Content

CONTENT

Software Introduction	P01
Product Specification	P03
Dimensions	P07
Model List	P11

Windows Operation Style

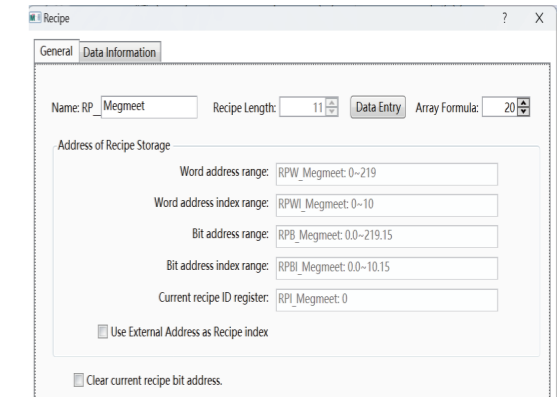
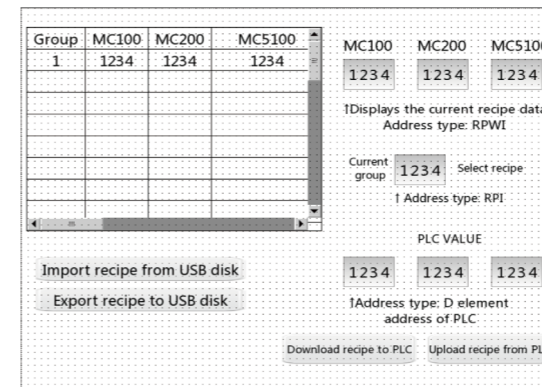


Software Feature

- ◆ Easy to learn and use, intuitive programming; Support multi-language operation interface.
- ◆ Support "Data collection", "Formula", "Operation record", "Alarm", "Schedule", "Save data to report" and other functions.
- ◆ Multiple download methods: serial port, U disk, SD card, Ethernet port.
- ◆ Rich communication driver, communicating with mainstream PLCs. Such as MEGMEET, Siemens, Mitsubishi, Omron, Panasonic, Keyence, ABB, AB, Schneider and so on.
- ◆ Supported database: SQL, My SQL, Access.
- ◆ Support the same user program to convert to HMI or PC configuration at will, running on different hardware platforms.
- ◆ VB script-like instructions: easy to learn and powerful
- ◆ Supported systems: Windows 10, Windows 8, Windows 7, Windows XP SP3, Windows Server 2003.

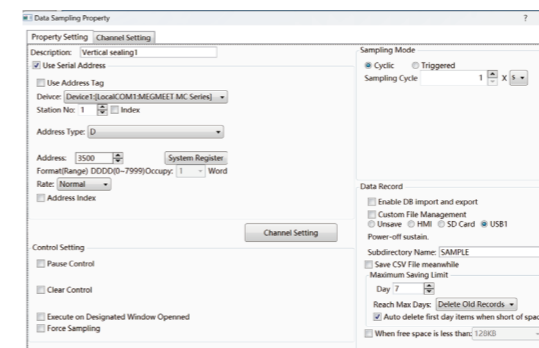


- ◆ Recipe: Max. 26, can be set; 8192 words per recipe, and 65535 recipe groups per zone.
- ◆ Recipe editing software allows users to view and modify all recipe contents on PC.
- ◆ Support for recipe upload and download (Between PC and HMI, HMI and USB flash disk, HMI and PLC, etc.)



Data Collection | Data Display | Real-time Curve | Report Form

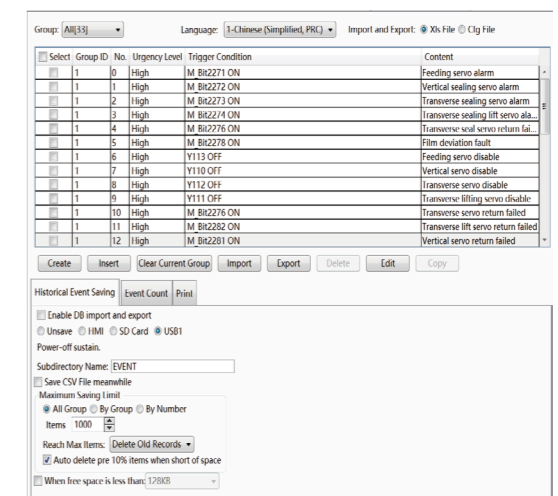
- ◆ Data collection (accurate to 0.1s): Automatic/manual, timing/trigger, high-speed data collection.
- ◆ Real-time data display and real-time curve generation.
- ◆ Save data to CSV, TXT, or other various custom file forms.
- ◆ Save data to database: SQL, My SQL, Access, USB flash disk or SD card.






No.	Description	Address	Sampling	Cycle/Trigger Ac	Pause Address	Clear Address	Space Occupied	Di
1	Vertical 1	D3500	Cyclic	1S			2.31MByte	
2	Vertical 2	D3501	Cyclic	1S			2.31MByte	
3	Vertical 3	D3502	Cyclic	1S			2.31MByte	
4	Vertical 4	D3503	Cyclic	1S			2.31MByte	
5	Transverse	D3504	Cyclic	1S			2.31MByte	
6	Transverse	D3505	Cyclic	1S			2.31MByte	

Alarm | Operation Record

- ◆ Support bit trigger and value judgment alarm; support up to 64 groups of alarms, each group of alarms supports high, medium, and low emergency levels; support storing CSV and TXT files that save alarm records to U flash disk, SD card and database
- ◆ Alarm configuration can be imported by xls file and cfg file for more convenient and quick.
- ◆ Operation record: Record the user's various operations at any time, support to save files to CSV and database.



MZ800 Series HMI

Picture			
Model/Series	MZ800-TT05SK30/31	MZ800-TT107SK30	MZ800-TT207SK30/31
Display size	4.3" (16: 9 TFT LCD screen)	7" (16: 9 TFT LCD screen)	7" (16: 9 TFT LCD screen)
Resolution	480x272	800x480	1024x600
Display material	TFT color touch(LCD screen)		
Effective display size (T/B/L/R)	50°/70°/70°/70°	50°/70°/70°/70°	30: 50°/70°/70°/70° 31: 85°/85°/85°/85°
Brightness	30: 360/31:300	250	30:360/31:450
Display color	24-bit color	16-bit color	24-bit color
Touch screen	4-wire industrial resistance touch screen		
CPU	600MHz ARM Cortex-A8	720MHz ARM	4-core 1.2GHz ARM Cortex-A7
Memorizer	128MB Flash+128MB DDR3	64MB RAM+128MB Flash	128MB DDR3+4GB EMMC
RTC	Built-in real-time clock		
Ethernet	30: None 31: 10M/100M(Adaptive)	None	30: None 31: 1-CH 10M/100M(Adaptive)
SD card	None		30: None 31: Supported
USB port	One USB Slave 2.0; One USB Host 2.0		
Serial interface	COM1:RS232/RS485/RS422 COM3:RS232		
Rated power	<5W	<10W	
Rated voltage	DC24V, ranging from DC 9V to 28V		
Power supply protection	Lightning surge protection		
Power-losing time	<5ms		
CE	Conform to EN61000-6-2:2005, EN61000-6-4:2007 standard; Conform to RoHS, lightning surge±1KV, group pulse±2KV; electrostatic contact 4KV, air discharge 8KV		
Operation temperature	30:-20~50C/31:-25~75°C	0~50°C	
Storage temperature	30:-25~60°C/31:-30~80°C	-20~60°C	
Ambient humidity	10~90%RH (No condensation)		
Shake-resistance	10~25Hz(X, Y, Z direction 2G/30 min)		
Protection grade	The front panel conforms to IP65 (with flat cabinet installation), and the rear cabinet conforms to IP20.		
Mechanical structure	30:Engineering plastic 31:Aluminum alloy+Galvanized sheet, powder-coated surface	Engineering plastic	
Overall dimensions	30:130x104x32/31:130x104x43	204x145x33.8	204x145x33.8
Hole size	120x93	192x138	192x138

Picture			
Model/Series	MZ800-TT207SK30/31W	MZ800-TT210SK30/31	MZ800-TT210SK30W
Display size	7" (16: 9 TFT LCD screen)	10.1" (16: 9 TFT LCD screen)	10.1" (16: 9 TFT LCD screen)
Resolution	1024x600		
Display material	TFT color touch(LCD screen)		
Effective display size (T/B/L/R)	85°/85°/85°/85°		
Brightness	350	400	
Display color	24-bit color		
Touch screen	4-wire industrial resistance touch screen		
CPU	4-core 1.2GHz ARM Cortex-A7		
Memorizer	128MB DDR3+4GB EMMC		
RTC	Built-in real-time clock		
Ethernet	30: None 31: 1-CH 10M/100M(Adaptive)		
SD card	30: None 31: Supported	Supported	
USB port	One USB Slave 2.0; One USB Host 2.0		
Serial interface	COM1: RS232/RS485/RS422 COM2: RS485/RS422 COM3: RS232		
Rated power	<10W		
Rated voltage	DC24V, ranging from DC 9V to 28V		
Power supply protection	Lightning surge protection		
Power-losing time	<5ms		
CE	Conform to EN61000-6-2:2005, EN61000-6-4:2007 standard; Conform to RoHS, lightning surge±1KV, group pulse±2KV; electrostatic contact 4KV, air discharge 8KV		
Operation temperature	0~50°C		
Storage temperature	-20~60°C		
Ambient humidity	10~90%RH (No condensation)		
Shake-resistance	10~25Hz(X, Y, Z direction 2G/30 min)		
Protection grade	The front panel conforms to IP65 (with flat cabinet installation), and the rear cabinet conforms to IP20.		
Mechanical structure	Engineering plastic		
Overall dimensions	204x145x33.8	273x213x36	273x213x36
Hole size	192x138	260x202	260x202

MZ800 Series HMI

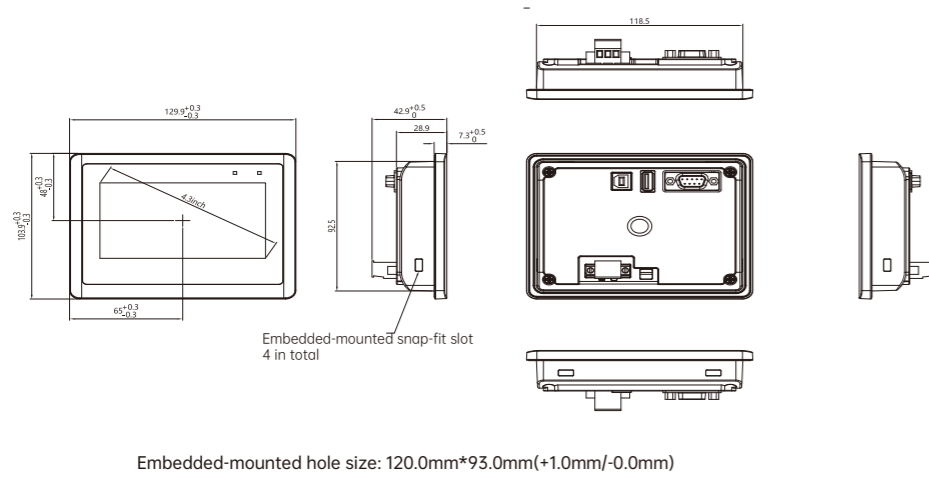
Picture				
Model/Series	MZ800-TT215SK31	MZ800-TT07SK31M	MZ800-TT210SK31M	MZ800-TT22P
Display size	15.6" (16: 9 TFT LCD screen)	7" (16: 9 TFT LCD screen)	10.1" (16: 9 TFT LCD screen)	22" (16: 9 TFT LCD screen)
Resolution	1920x1080	800x480	1024x600	1920x1080
Display material	TFT color touch(LCD screen)			
Effective display size (T/B/L/R)	85'/85'/85'/85'	50'/70'/70'/70'	85'/85'/85'/85'	85'/85'/80'/80'
Brightness	250	360	400	250
Display color	16-bit color	24-bit color		16-bit color
Touch screen	4-wire industrial resistance touch screen			Glass+Glass projected multi-point capacitance touch screen
CPU	1G ARM Cortex-A8	600MHz ARM Cortex-A8		800MHz ARM Cortex-A8
Memorizer	256MB Flash+512MB DDR3	128M Flash+128M DDR3		256MB Flash+256MB DDR3
RTC	Built-in real-time clock			
Ethernet	2-CH 10M/100M(Adaptive)	10M/100M(Adaptive)		1-CH 10M/100M(Adaptive)
SD card	Supported			
USB port	One USB Slave 2.0; One USB Host 2.0			
Serial interface	COM3:RS232/RS485/RS422; COM2:RS485	COM1/COM2:RS232/RS485/RS422; COM3/COM4:RS232	COM1:RS232/RS485/RS422; COM2:RS485/RS422; COM3:RS232	COM1/COM2:RS232/RS485/RS422; COM3/COM4:RS232
Rated power	<18W	<10W		<20W
Rated voltage	DC24V, ranging DC18V to 28V			
Power supply protection	Lightning surge protection			
Power-losing time	<5ms			
CE	Conform to EN61000-6-2:2005, EN61000-6-4:2007 standard; Conform to RoHS, lightning surge±1KV, group pulse±2KV; electrostatic contact 4KV, air discharge 8KV			
Operation temperature	0-50°C	-20-70°C	-10~60°C	-20-70°C
Storage temperature	-20~60°C	-30-80°C	-20~70°C	-20~60°C
Ambient humidity	10~90%RH (No condensation)			
Shake-resistance	10~25Hz(X, Y, Z direction 2G/30 min)			
Protection grade	The front panel conforms to IP65 (with flat cabinet installation), and the rear cabinet conforms to IP20.			
Mechanical structure	Aluminum alloy shell	Aluminum alloy+Galvanized sheet, powder-coated surface	Aluminum alloy shell	Aluminum alloy+Galvanized sheet, powder-coated surface
Overall dimensions	394x256x36	200x146x40	274x214x39	530x338x61
Hole size	380x245	192x138	260x202	502x302

MZ600 Series HMI

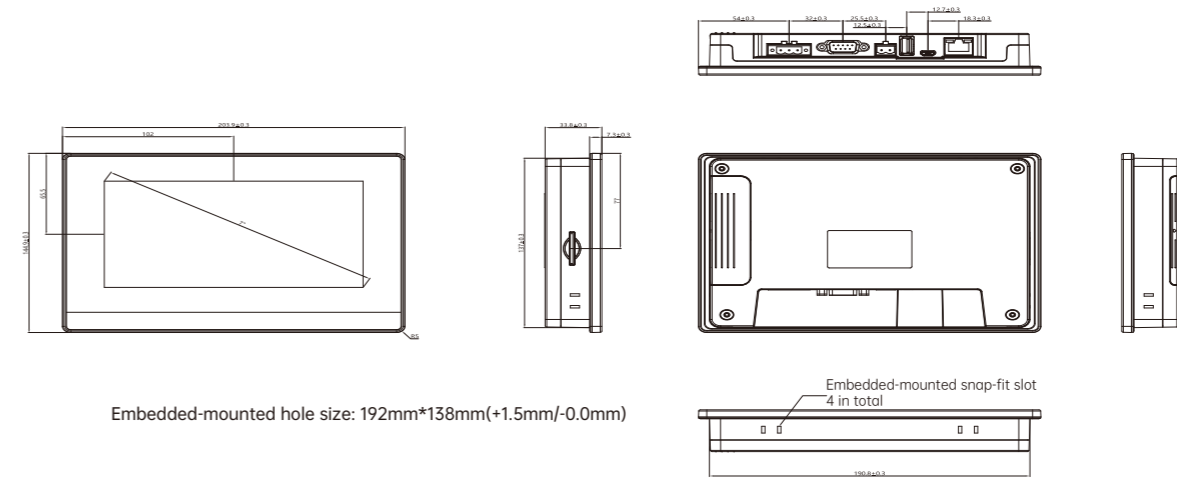
Picture			
Model/Series	MZ600-TT210SA	MZ600-TT207SA	MZ600-TT205SA
Display size	10.2"	7"	4.3"
Resolution	1024x600	800x480	480x272
Display material	TFT color touch(LCD backlight), 65536-color		
Backlight life	20000 hours		
Brightness	250	400	
Page/Macro	Max. page: 30/ Macro instruction number: 100		
Touch screen	4-wire industrial resistance touch screen		
CPU	RISC ARM9 32Bit		
Memorizer	Working memory: 64MB/ Application Program Flash (AP) : 20MB/ Data Flash Disk: 64MB		
Battery memory	128KB		
Ethernet	—		
SD card	—		
USB port	Rear USB2.0*1 Master, rear USB2.0*1 Slave		
Serial interface	COM1: RS232 COM2: RS485/RS422 COM3:RS232		COM1: RS232 COM3:RS232
Rated power	3.5W	3W	2W
Rated voltage	DC24V, ranging from DC 12V to 24V		
Power supply protection	Lightning surge protection		
Power-losing time	<5ms		
CE	FCC Part 15 Class A & En6100-5-2,EN6100 -5-4(CE)		
Operation temperature	-10~50°C		
Storage temperature	-20~60°C		
Protection grade	IP54		
Mechanical structure	Engineering plastic		
Overall dimensions	270.8x212.8x40.5	203.5x148.5x35	129x103x33
Hole size	259.5x201.5	191x137.5	118.5x92.5

Dimensions of MZ800 Series HMI

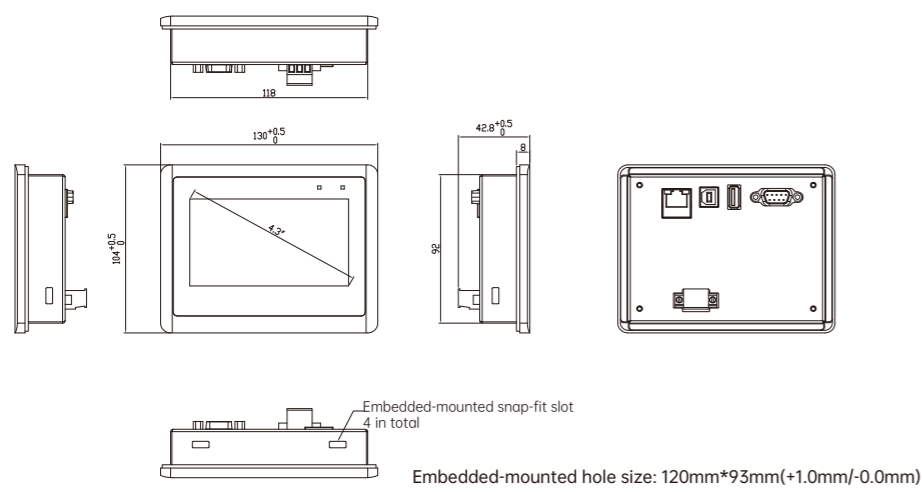
MZ800-TT05SK30



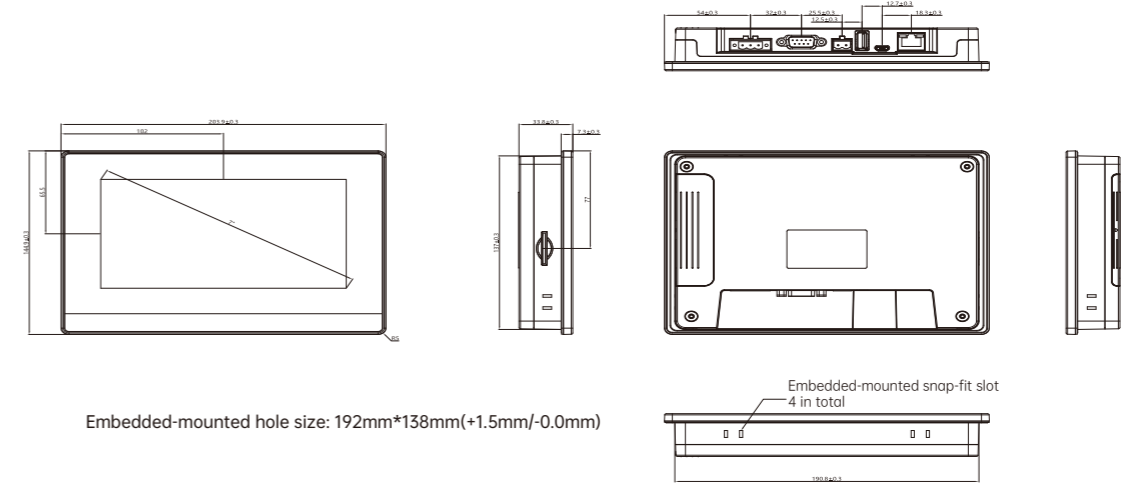
MZ800-TT207SK30/31



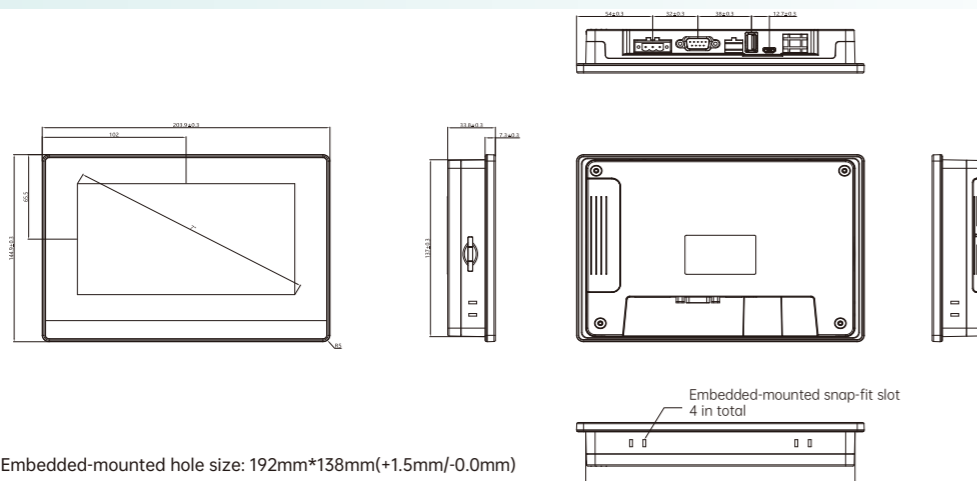
MZ800-TT05SK31



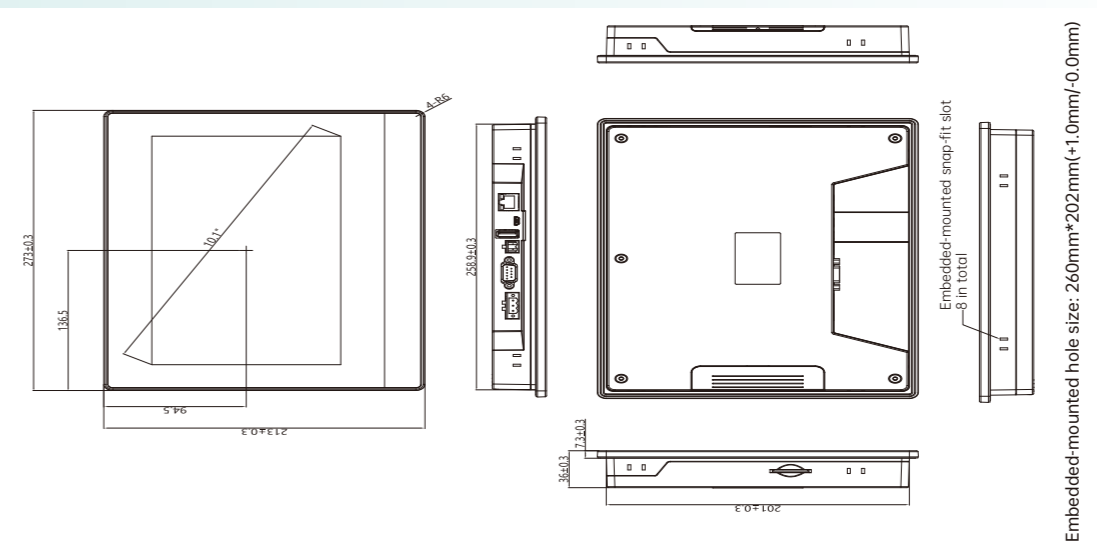
MZ800-TT207SK30/31W



MZ800-TT107SK30

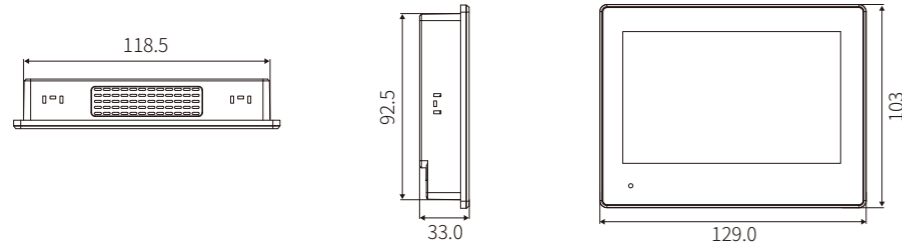


MZ800-TT210SK30/31

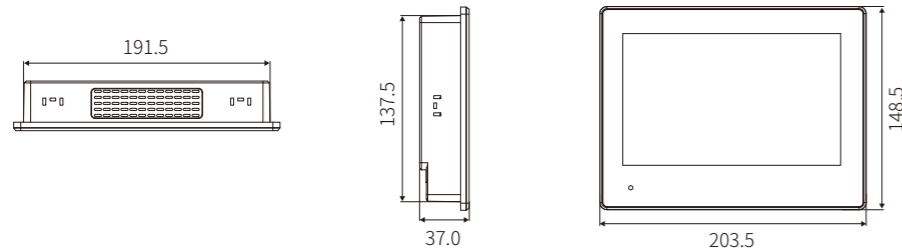


Dimensions of MZ600 Series HMI

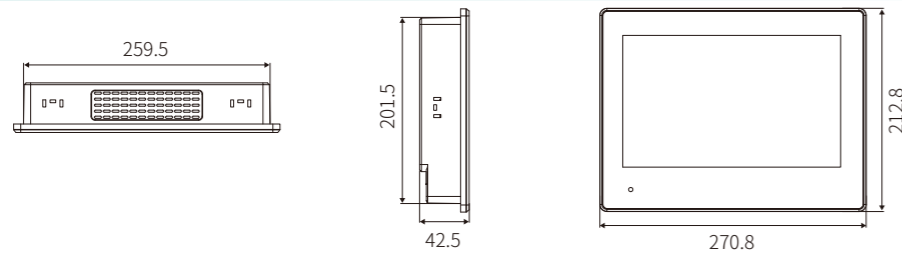
MZ600-TT205SA



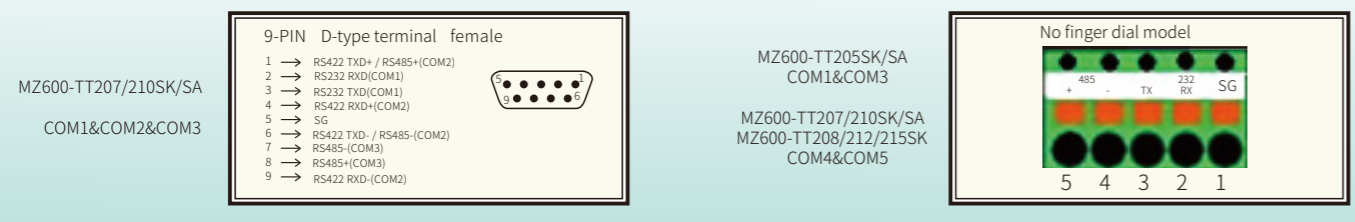
MZ600-TT207SK/SA



MZ600-TT210SK/SA



PIN of MZ600-SA serial port



HMI Model List

Model	Size	Description
MZ800-TT05SK30	4.3"	TFT color touch(LCD screen), Flash 128MB, DDR3 128MB, U disk storage, 2 communication ports: COM1/COM3
MZ800-TT05SK31	4.3"	TFT color touch(LCD screen), Flash 128MB, DDR3 128MB, U disk storage, 2 communication ports: COM1/COM3, 1-Ethernet port
MZ800-TT107SK30	7.0"	TFT color touch(LCD screen), Flash 128MB, 64MB RAM, U disk storage, 2 communication ports: COM1/COM3
MZ800-TT207SK30	7.0"	TFT color touch(LCD screen), Flash 128MB, EMMC 4GB, U disk storage, 2 communication ports: COM1/COM3
MZ800-TT207SK31	7.0"	TFT color touch(LCD screen), Flash 128MB, EMMC 4GB, U disk storage, 3 communication ports: COM1/COM2/COM3, 1-Ethernet port
MZ800-TT207SK30W	7.0"	TFT color touch(LCD screen), Flash 128MB, EMMC 4GB, U disk storage, 3 communication ports: COM1/COM2/COM3
MZ800-TT207SK31W	7.0"	TFT color touch(LCD screen), Flash 128MB, EMMC 4GB, U disk storage, 3 communication ports: COM1/COM2/COM3, 1-Ethernet port
MZ800-TT210SK30	10.1"	TFT color touch(LCD screen), Flash 128MB, EMMC 4GB, U disk storage, 3 communication ports: COM1/COM2/COM3
MZ800-TT210SK31	10.1"	TFT color touch(LCD screen), Flash 128MB, EMMC 4GB, U disk storage, 3 communication ports: COM1/COM2/COM3, 1-Ethernet port
MZ800-TT210SK30W	10.1"	TFT color touch(LCD screen), Flash 128MB, EMMC 4GB, U disk storage, 2 communication ports: COM1/COM3
MZ800-TT215SK31	15.6"	TFT color touch(LCD screen), Flash 256MB, DDR3 512MB, U disk storage, 3 communication ports: COM1/COM2/COM3, 2-Ethernet port
MZ800-TT07SK31M	7.0"	TFT color touch(LCD screen), Flash 128MB, DDR3 128MB, U disk storage, 4 communication ports: COM1/COM2/COM3/COM4, 1-Ethernet port
MZ800-TT210SK31M	10.1"	TFT color touch(LCD screen), Flash 128MB, DDR3 128MB, U disk storage, 3 communication ports: COM1/COM2/COM3, 1-Ethernet port
MZ800-TT22P	22"	TFT color touch(LCD screen), Flash 256MB, DDR3 256MB, U disk storage, 4 communication ports: COM1/COM2/COM3/COM4, 1-Ethernet port
MZ600-TT205SA	4.3"	Touch true-color TFT(65536), 20M program flash, 64M data storage, 128K battery storage, 2 serial ports: COM1/COM3
MZ600-TT207SA	7.0"	Touch true-color TFT(65536), 20M program flash, 64M data storage, 128K battery storage, 3 serial ports: COM1/COM2/COM3
MZ600-TT210SA	10.2"	Touch true-color TFT(65536), 20M program flash, 64M data storage, 128K battery storage, 3 serial ports: COM1/COM2/COM3