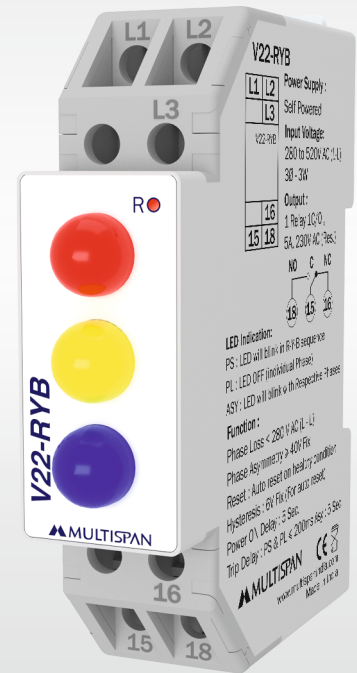


V22 RYB Voltage Protection Device



Features

- Compact Size
- LED Indicate For Healthy / Faulty Status
- Self Powered

Protection Available

- ▶ Phase Asymmetry
- ▶ Phase Sequence
- ▶ Phase Loss

Specification / Function

System	3Ø - 3W
Supply Voltage	280 to 520V AC (L-L)
Phase Loss	< 280V AC (L-L)
Phase Asymmetry	≥40V AC (L-L)
Hysteresis	6 V Fix (For Auto Reset)
Reset	Auto Reset on Healthy Condition
Output	1 C/O, 5 A 230V AC 5A, 28V DC (Resistive Load)
Power ON Delay	5 Second
Trip Delay	PS & PL ≤ 200ms Asy : 5 Sec.

LED Indication

- Phase Sequence : LED will blink in R-Y-B sequence
- Phase Loss : LED OFF (Individual Phase)
- Asymmetry : LED will blink with Respective Phases

Application

- Electrical Control Panel
- Submersible Pump
- Road Construction Panel
- MCC Panel
- Industrial Chiller And HVAC System
- D.G. Set

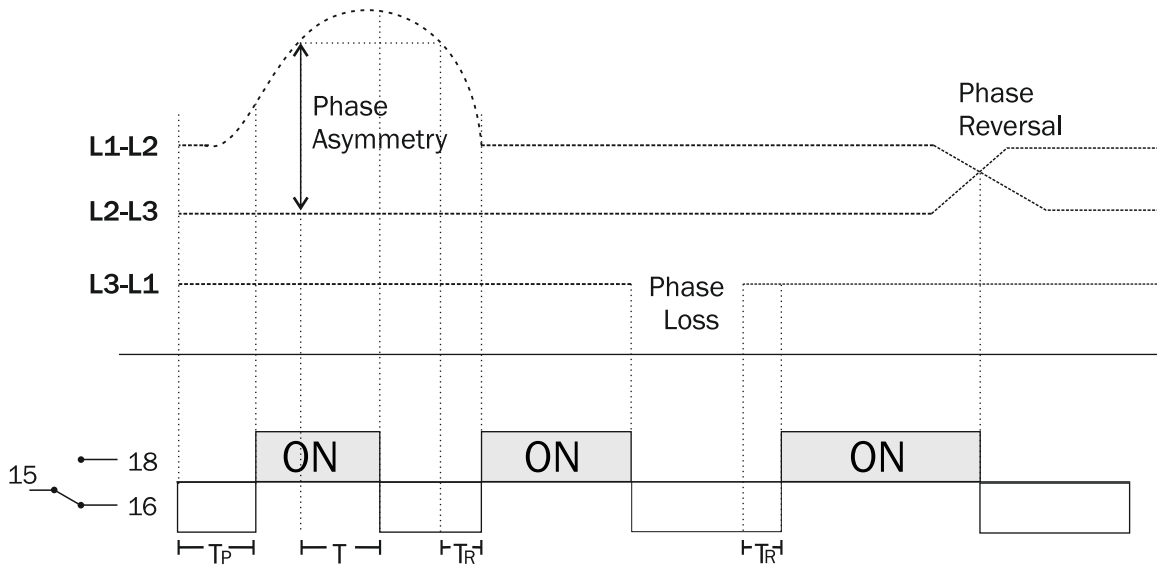
Physical

Mounting Type	Din Rail Mount
Size (H x W x D)mm	90 X 22.5 X 66.35
Material	ABS

Environmental

Working Temperature	0 to 55 °C
Storage Temperature	0 to 55 °C
Relative Humidity	95% RH Non-condensing
Warm up time	5 minutes

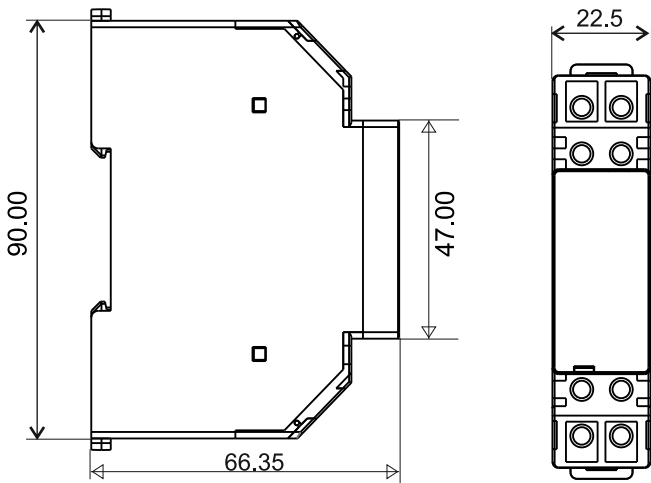
Control Function



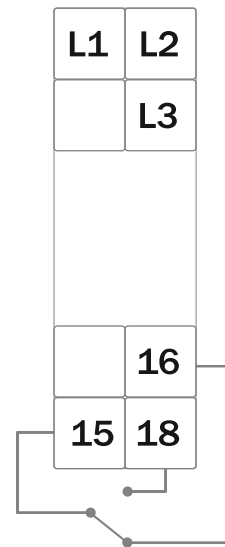
Phase Loss < 280V AC (L-L)
 Phase Asymmetry $\geq 40V$ AC (L-L)
 Hysteresis 6 V Fix for (Auto Reset)

T_p = Power ON Delay (5 sec)
 T = Trip Delay (5 Sec) Asymmetry
 T_R = Reset Time (<200ms)
 T = Trip Delay (<200ms) PL, PS

Dimension



Terminal Connection



Multispan reserves the right to change specifications without prior notice. Printing and typographical errors reserved.
 Product improvement and upgrade is a constant procedure. So for more updated operating information & support contact us.

Multispan Control Instruments Pvt. Ltd.

72/B, Phase 1, GIDC Estate, Vatva, Ahmedabad-382445, Gujarat, India.

+91-7575805463/7623001206

support@multispanindia.com

Follow us



www.multispanindia.com